

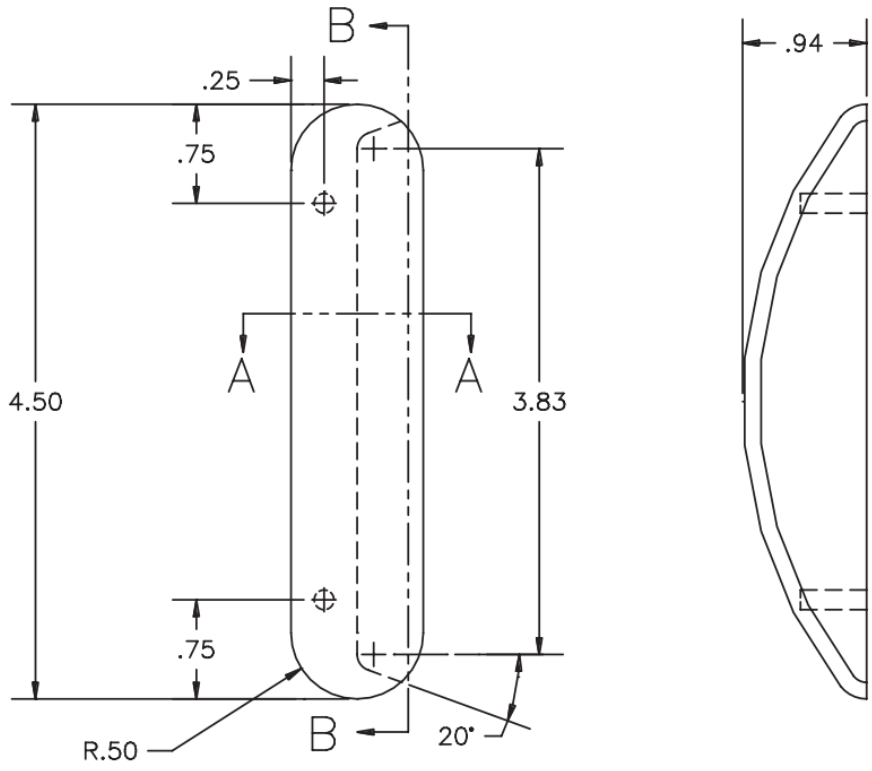
16841 Aluminium Pull Handle

Features

- Aluminium pull handle with two tapered holes (#10-24) which is ideal for drawer cabinets or light duty applications
- Blind mounting

Material

- Aluminium, satin finish



Part No.
AL-16841

Dimensions in inches



We are Eberhard's exclusive distributor